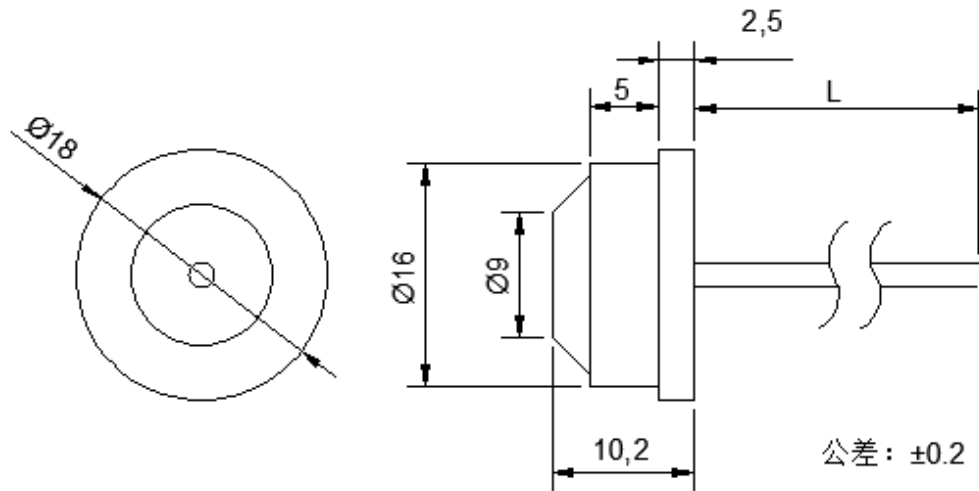


Gas sensor:

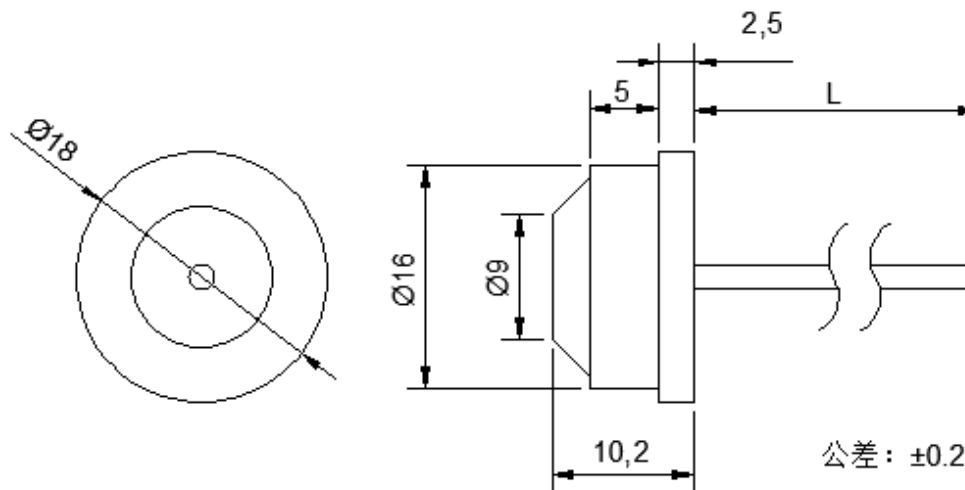
PSC200K018102H3AD0-B1



ELECTRICAL SPECIFICATIONS

ITEM	Unit	Standard
Cent frequency (Fr)	kHz	200±10
Static Capacitance (CP)	pF	2000±20%
signal sensitivity	mv	≥20
Operating temperature range	°C	-35~70
Storage temperature range	°C	-40~85

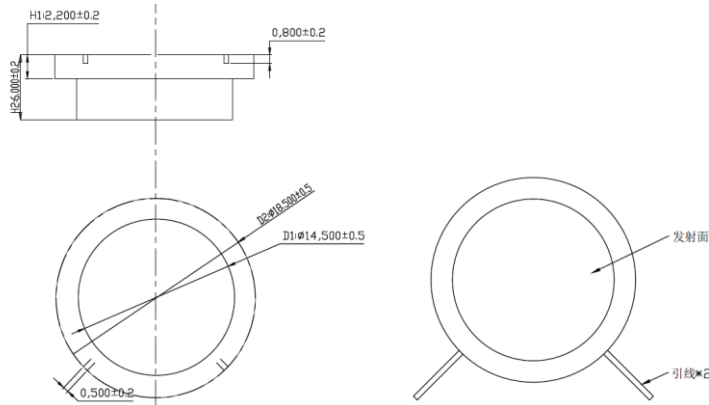
PSC200K018102H3AD1-B1



ELECTRICAL SPECIFICATIONS

ITEM	Unit	Standard
Cent frequency (Fr)	kHz	200±10
Static Capacitance (CP)	pF	430±20%
signal sensitivity	mv	≥50
Operating temperature range	°C	-35~70
Storage temperature range	°C	-40~85

PSC500K018060H2AD2-B1

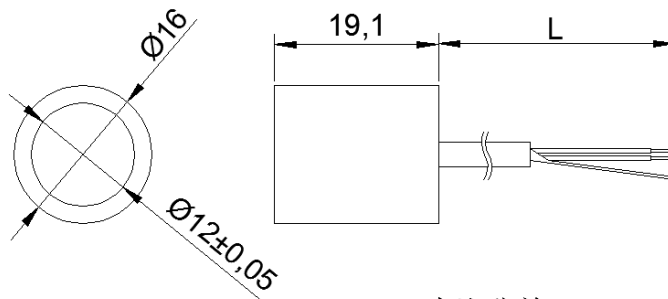


Remarks: the size without rubber ring

ELECTRICAL SPECIFICATIONS

Item	Unit	Standard
Cent frequency (Fr)	kHz	500±10
Static Capacitance (CP)	pF	470±10%
signal sensitivity	mV	≥50
Directivity	°	12 (average value)
Operating temperature range	°C	-35~70
Storage temperature range	°C	-40~85
Weight	g	2.9±0.3

PSC200K016191H2AD1-B1



未注公差: ±0.1

ELECTRICAL SPECIFICATIONS

Item	UNIT	Standard
Cent frequency (Fr)	kHz	200±10
Static Capacitance (CP)	pF	600±20%
signal sensitivity	°	approximately 6 (half the full angle)
Directivity	mv	≥50
Operating temperature range	°C	-35~70
Storage temperature range	°C	-40~85