

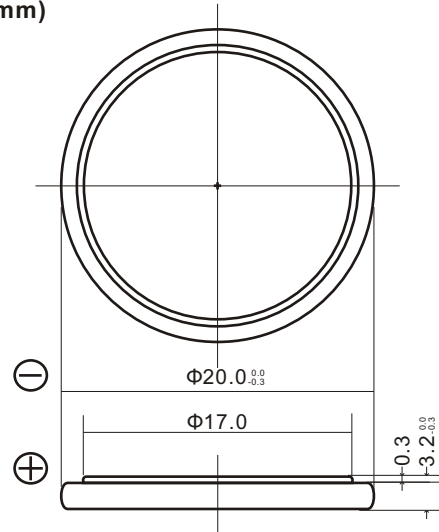
# CR2032

Lithium Manganese Dioxide  
(Li-MnO<sub>2</sub>) Coin Batteries

## Specifications

Nominal Voltage	3V
Nominal Capacity*1	225mAh
Max. Discharge Current	3mA
Max. Pulse Current	15mA
Standard Discharge Current	0.2mA
Operating Temperature*2	-20~+70 °C
Approx. Weight	3.2g
UL Component Recognition	MH28717

## Dimensions (mm)

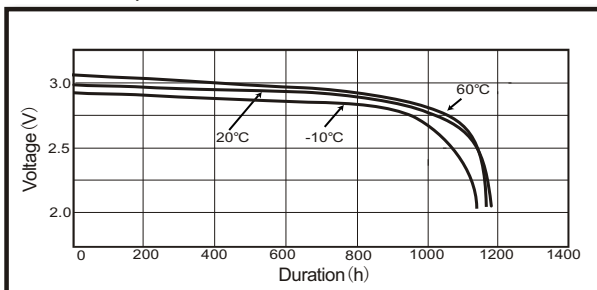


\*1 Nominal capacity is determined at an end voltage of 2.0V when the battery is allowed to discharge at a standard current level at 20±3°C.

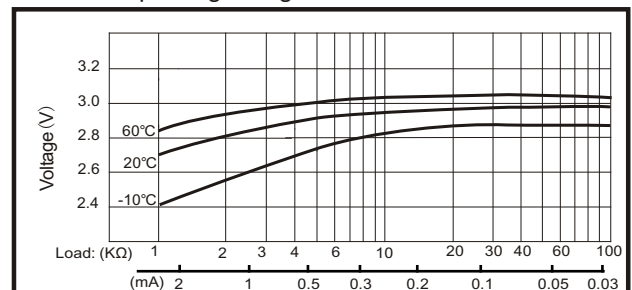
\*2 Consult EVE when using batteries at temperatures exceeding the -10°C to +60°C range.

## Performance

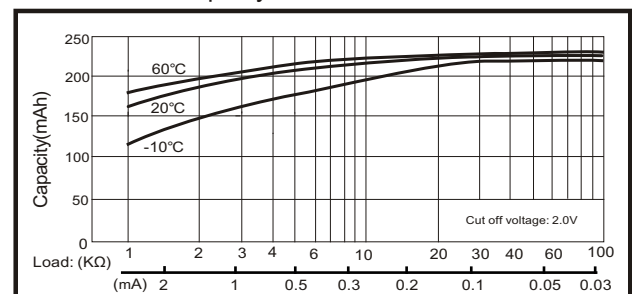
Temperature characteristics Load 7.5KΩ



Operating Voltage VS Load Resistance



Capacity VS Load Resistance



■ Cell and battery designs/specifications are subject to modification without notice, contact EVE for the latest information.

■ Any representations in this data sheet concerning performance are for informational purpose only and are not construed as warranties, either expressed or implied, of future performance.

**EVE ENERGY CO., LTD.**

Address.: EVE Industrial Park, XiKeng Industrial zone, Huihuan Town, Huizhou, Guangdong, China

Operator: (86-752)260 6966 Direct: (86-752)260 5822

Fax: (86-752)260 6033 P.C.516006